

YDEZ 系列 (铝壳)

电磁制动三相异步电动机

YDEZ series of electromagnetic brake three-phase asynchronous motor (Aluminum Shell)

产品特性

该电动机是为各种起重机的大车运行，小车运行机构配套而研制的三相异步制动电动机。其特色是机座和前端盖采用铝合金，外形美观，减轻了整机重量。

优点

直流电磁铁，绕组中的电流只和绕组的直流电阻有关，与吸合间隙无关，无论摩擦盘磨损到何种程度，电磁铁通电时都不会因吸合间隙过大而烧毁，工作可靠，调整方便。

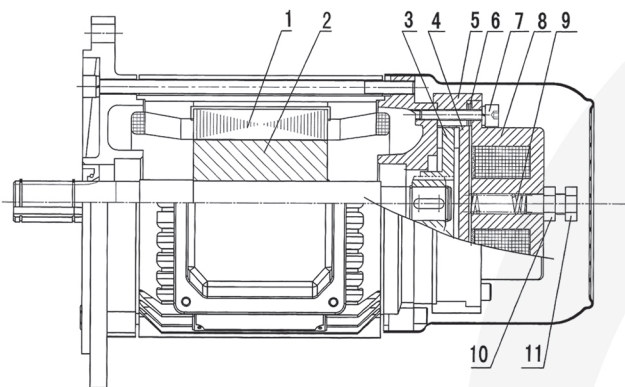


Product Characteristics

The motor is a three-phase asynchronous braking motor developed for operation of various cranes and trolley. The characteristic is that the frame and front cover are made of aluminum alloy with beautiful appearance and reduced the weight of the whole machine.

Advantages

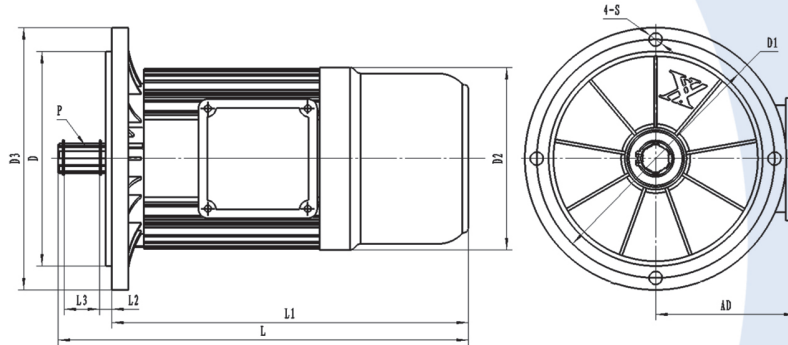
DC electromagnet, current in the winding is only related to DC resistance of the winding, independent of the suction gap. No matter how much the friction disc is worn, the electromagnet will not be burned out due to excessive suction gap when it is energized. It is reliable and easy to adjust.



1. 定子 Stator
2. 转子 Rotor
3. 摩擦盘 Friction disc
4. 衔铁 Armature
5. 制动器支架 Brake support
6. 调节垫片 Adjusting gasket
7. 固定螺杆 Fixed screw
8. 磁轭 Magnetic yoke
9. 制动弹簧 Brake spring
10. 锁紧螺母 Locking nut
11. 调整螺栓 Adjusting bolt

外形及安装尺寸：

Outline and installation dimension:



外形及安装尺寸 Outline and installation dimension											
型号及功率 (kW) Type and power (kW)	尺寸 (mm) Dimension										
	D	D1	D2	D3	L	L ₁	L ₂	L ₃	AD	S	P
YDEZ80L-4 0.8	Φ180h7	Φ200	Φ153	Φ220	345	300	10	30	118	Φ11	6D-25f9×22h15×6d11
YDEZ90L-4 1.5	Φ180h7	Φ200	Φ164	Φ220	383	338	10	30	124	Φ11	6D-25f9×22h15×6d11
YDEZ100S-4 2.2(D)	Φ180h7	Φ200	Φ195	Φ220	389	335	13	35	124	Φ11	6D-25f9×22h15×6d11
YDEZ100S-4 2.2(TD)	Φ250h7	Φ286	Φ195	Φ330	389	335	13	35	124	Φ13	6D-25f9×22h15×6d11
YDEZ100L-4 3.0(D)	Φ180h7	Φ200	Φ195	Φ220	419	365	13	35	124	Φ11	6D-25f9×22h15×6d11
YDEZ100L-4 3.0(TD)	Φ250h7	Φ286	Φ195	Φ330	419	365	13	35	124	Φ13	6D-25f9×22h15×6d11

基本技术参数：

Basic technical parameters:

基本技术参数 Basic technical parameters							
型号 Type	对应功率 (kW) Power	堵转 转矩 (N·m) Torque	堵转 电流 (A) Plugging current	转速 (r/min) Speed	制动 力矩 (N·m) Braking torque	励磁 电压 (V) Excitation voltage	重量 (kg) Weight
YDEZ80L-4	0.8	8	3.5	1200	1 - 3	DC99	15.3
YDEZ90L-4	1.5	16	7.5	1200	2 - 6	DC99	22
YDEZ100S-4	2.2	24	10	1200	8 - 11	DC99	30
YDEZ100L-4	3.0	30	12	1200	8 - 11	DC99	35